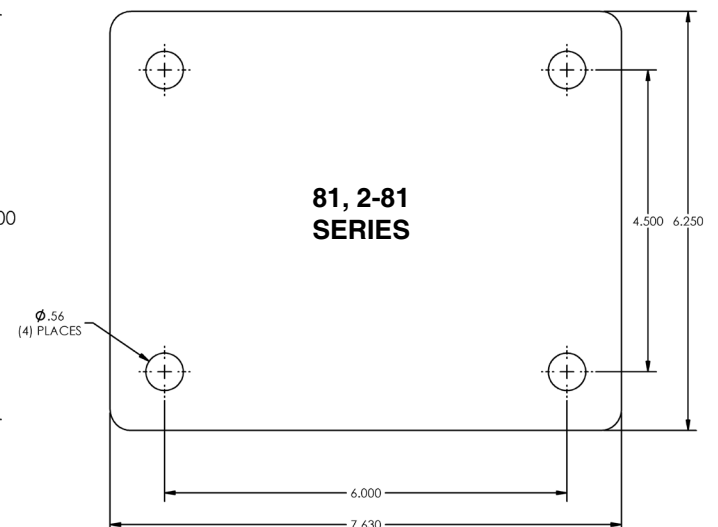
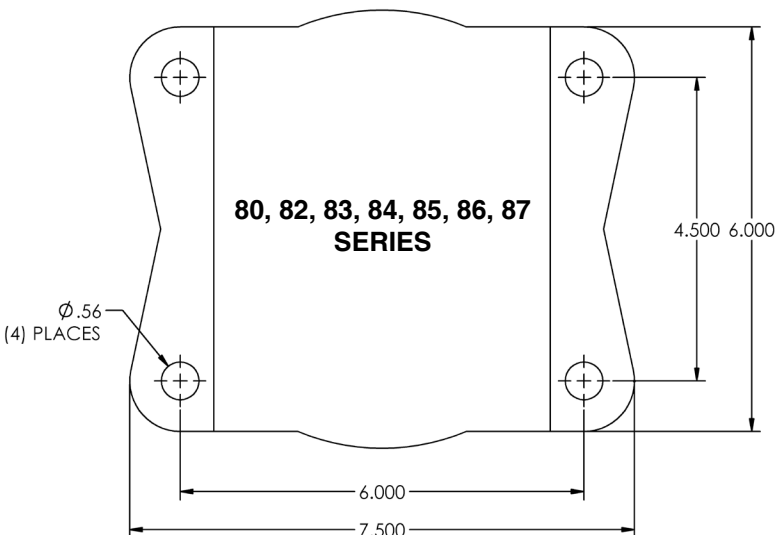
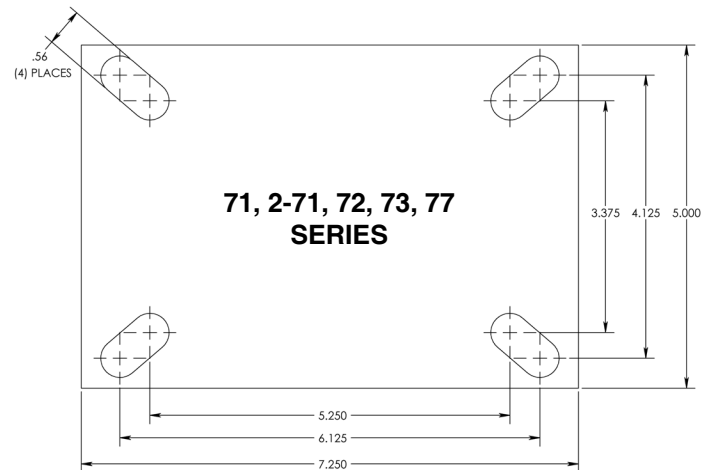
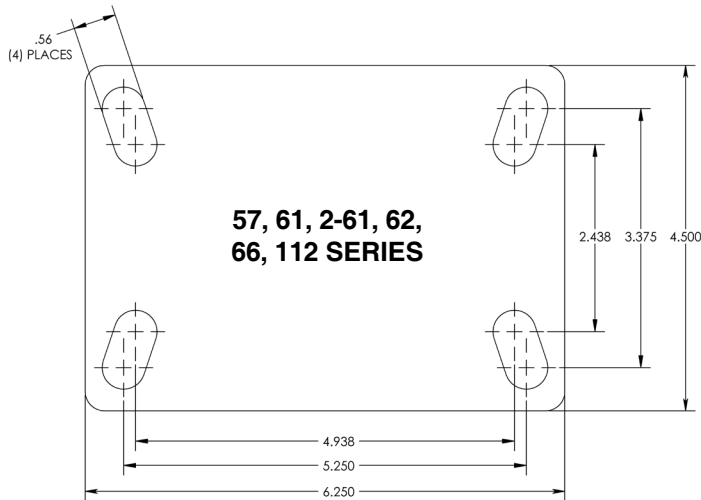
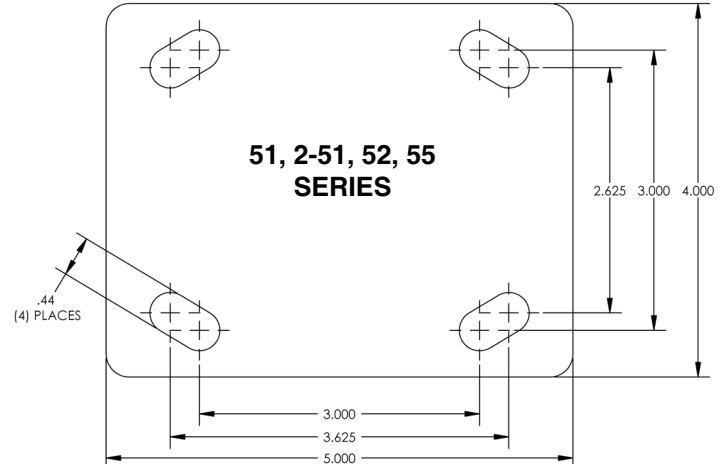
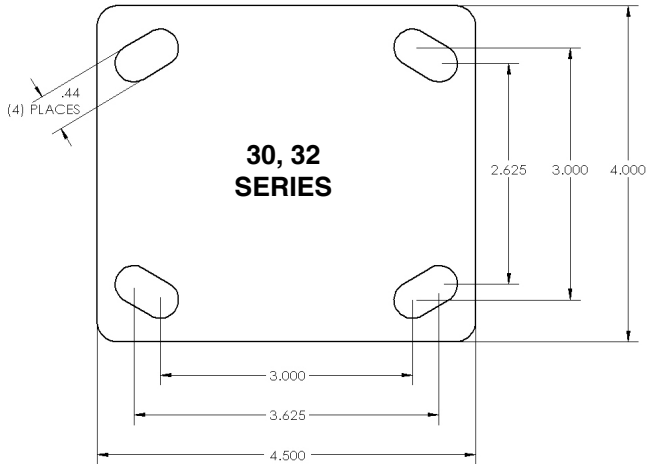


# TOP PLATE SIZES



**CASTER CONCEPTS**  
Beyond Standard.

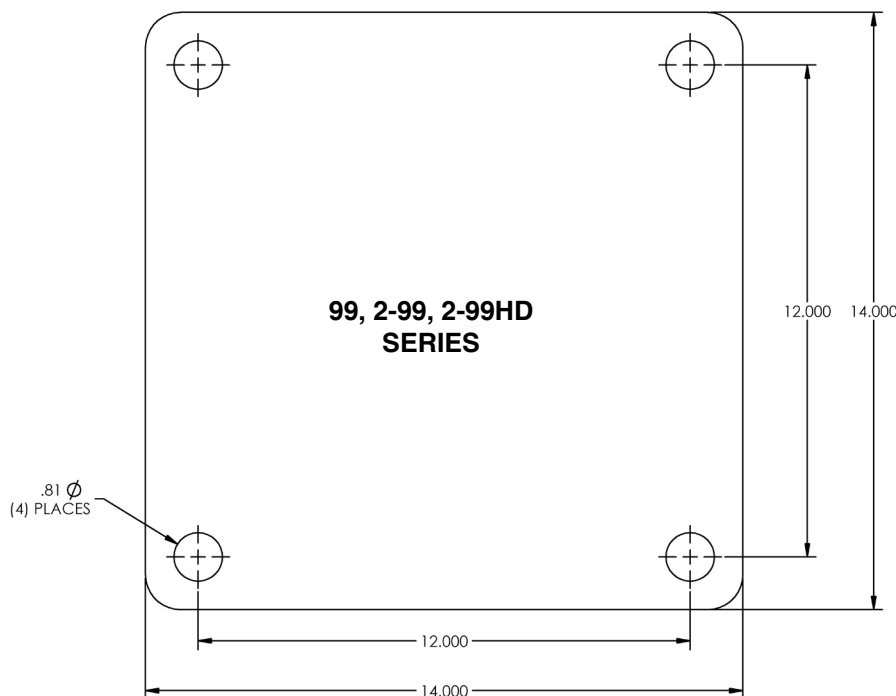
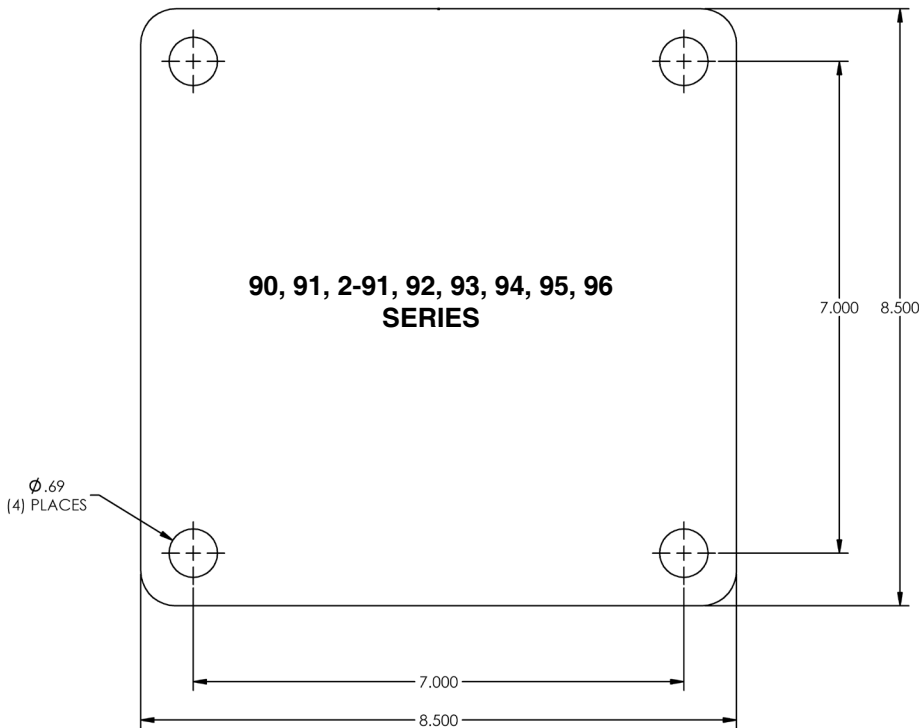


# TOP PLATE SIZES



**CASTER CONCEPTS**

Beyond Standard.



## TOP PLATE THICKNESS

Series	Swivel	Rigid
30	1/4"	1/4"
51	3/8"	
52	3/8"	3/8"
55	3/8"	3/8"
57	5/16"	3/8"
61	3/8"	
62	3/10"	1/4"
66	3/10"	3/8"
71	3/8"	
72	3/8"	3/8"
73	3/8"	3/8"
77	3/8"	3/8"
80	1/2"	1/2"
81	1/2"	
82	1/2"	1/2"
83	1/2"	1/2"
84	1/2"	1/2"
85	1/2"	1/2"
86	1/2"	1/2"
87	1/2"	1/2"
90	5/8"	5/8"
91	5/8"	
92	5/8"	5/8"
93	5/8"	5/8"
94	5/8"	5/8"
95	5/8"	5/8"
99	1"	1"
112	3/8"	3/8"

Note: All top plate thicknesses are nominal. Forged top plates may vary.