



# CASTER CONCEPTS

Beyond Standard.



MODERN SUSPENSION  
SYSTEMS®

LIGHTWEIGHT CASTERS FOR

**HEAVY  
DUTY  
PERFORMANCE**

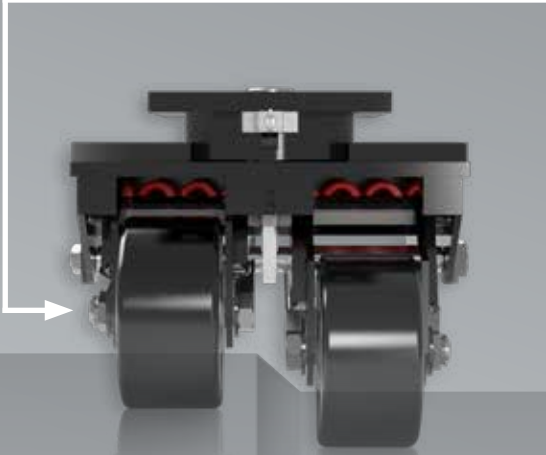
INTRODUCING  
**Modern Suspension  
Systems Casters**

*Aluminum Shock-Absorbing Casters!*



## Independent Suspension

Each Wheel Operates  
on Separate Axles and  
Separate Legs



## Shock Absorption

- Significantly reduce vibration and noise
- Reduce risk of damage to load



## Steel and Aluminum Casters Available

**VARI-FLEX**<sup>®</sup>

SHOCK-ABSORBING CASTERS



MODERN SUSPENSION  
SYSTEMS<sup>®</sup>

## Vari-Flex Design

- Dramatically reduces vibration
- Shock absorption capabilities even with loads that exceed rated capacity
- Reduces shimmy, dynamic bounce and resonance, even on empty carts.

## Aluminum Constructed Casters

- Entire caster is aluminum, including the yoke, swivel section and wheel core
- Corrosion-resistant and resistant to chemicals
- Aesthetically appealing

## Wheel Configurations

- Diameters from 3 inches to 16 inches
- Single or Dual Wheel
- Custom polyurethane formulations

## Designed for Many Uses

- Ideal in wet, humid or damp environments
- Perfect for applications that require overall weight reduction
- Resistant to many chemicals or liquids
- Helps keep load level on cracked, uneven or bumpy flooring
- Great when appearance is important

Series	Capacity	Top Plate	Wheels
25	350lbs	3.75"L x 2.75"W x .25"H	Single
33	675lbs	4.5"L x 3.75"W x .50"H	Single
38	1,000lbs	6.75"L x 6.5"W x .50"H	Single
39	3,000lbs	6.75"L x 6.5"W x .50"H	Single
138	5,000lbs	11"L x 9"W x .625"H	Dual
339	6,500lbs	11"L x 9"W x .75"H	Dual



**CASTER CONCEPTS**

Beyond Standard.



For further information please contact us at: 517.680.4213  
16000 E. Michigan Ave., Albion, MI 49224 • [www.CasterConcepts.com](http://www.CasterConcepts.com)