



CASTER CONCEPTS

Beyond Standard.

CASTERSHOX

1000 maximum capacity LBS

FEATURES

Swivel Section: Available in a standard kingpinless style swivel (51 Series) or a maintenance free kingpinless style swivel (57 Series)

Legs: 1/4" x 2" steel, formed and continuously welded on the inside and outside to the yoke base

Wheels: 6" to 8" diameter wheels are available with sealed precision ball bearings

Finish: Clear zinc plating

BENEFITS

The CasterShoX series are high performance caster products with a suspension system built directly into the wheel.

Fully compatible with legacy caster equipment, CasterShoX offers a cost effective means of implementing noise reduction, shock absorption and vibration attenuation into your material handling equipment. CasterShoX can reduce noise by as much as 15 dbA and shock loads by a factor of 5.

OPTIONS

Brakes

- Poly Lock: P*
- Face Contact: F

Swivel Locks

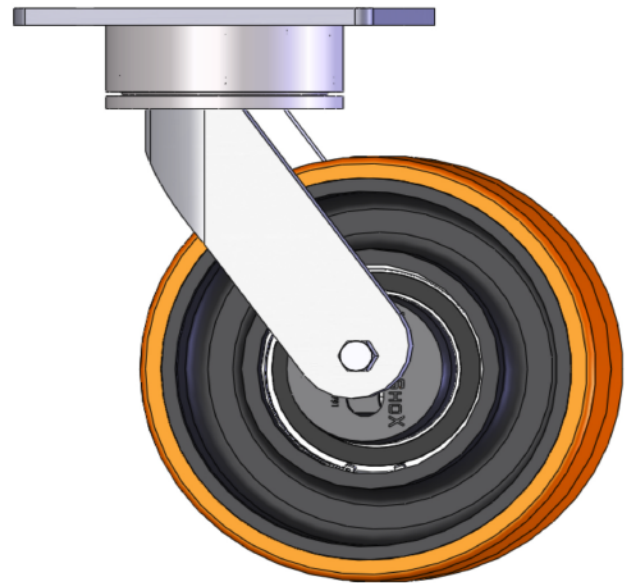
- Factory Installed: L
- Demountable: DL
- Passive: PL

Sealed Swivel: SSW**

Toe Guard: TG

* For wheels with diameters \geq 6 inches

** Available in the 51 series, 57 series is presealed



57-08202-61-1XA7

APPLICATIONS

CasterShoX casters are ideal for instances where workplace safety relating to hearing conservation is a concern. CasterShoX casters have the ability to reduce workplace noise levels by as much as 15 dba. In addition, CasterShoXs work great for transporting fragile components, or meeting ergonomic requirements.

